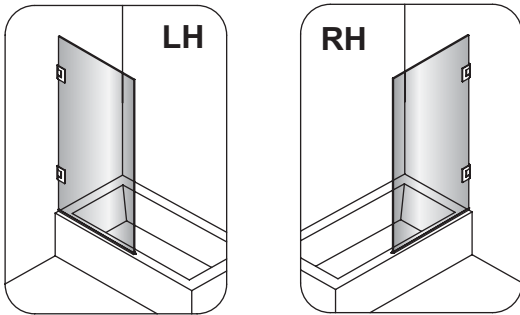
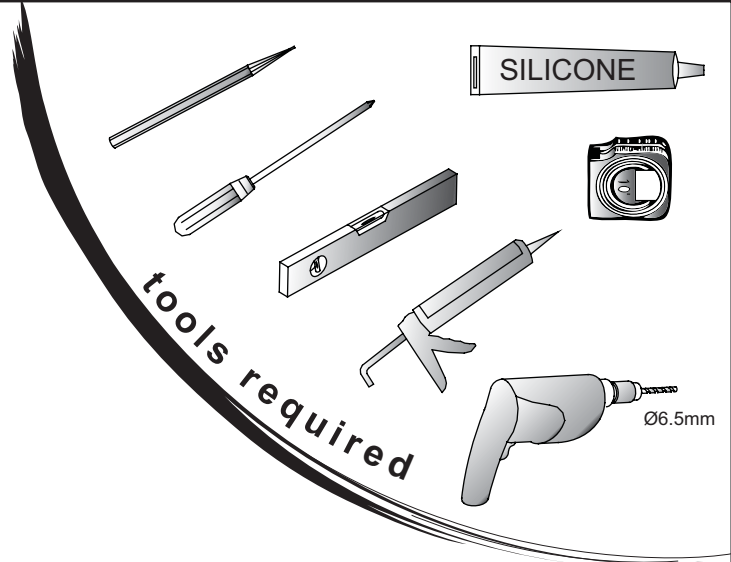


INSTRUCTION

Big Square Bath Screen

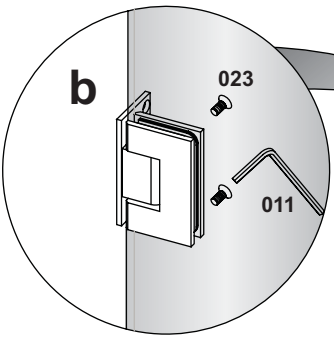
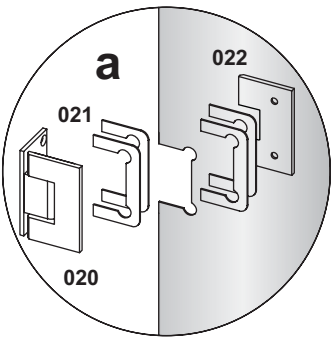
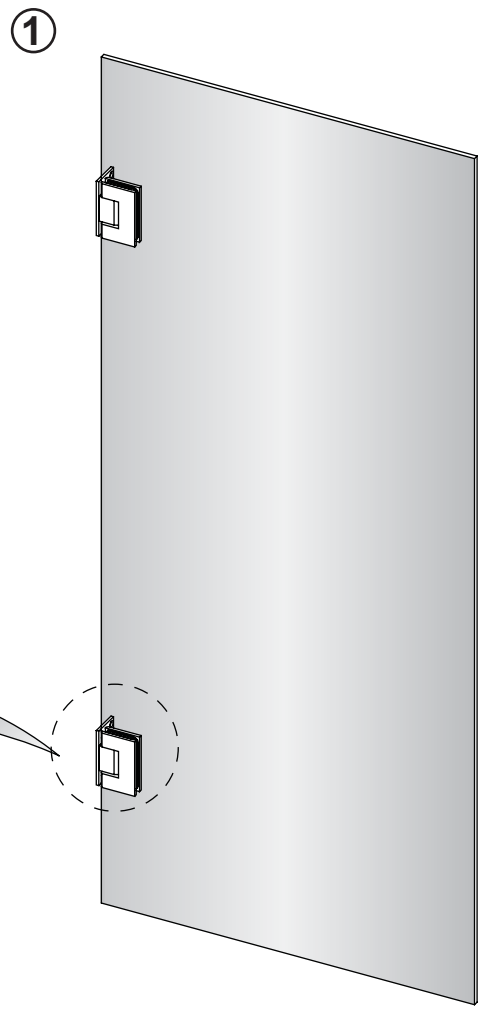


• Bath screen is reversible for installation: door can be either left or right opening.

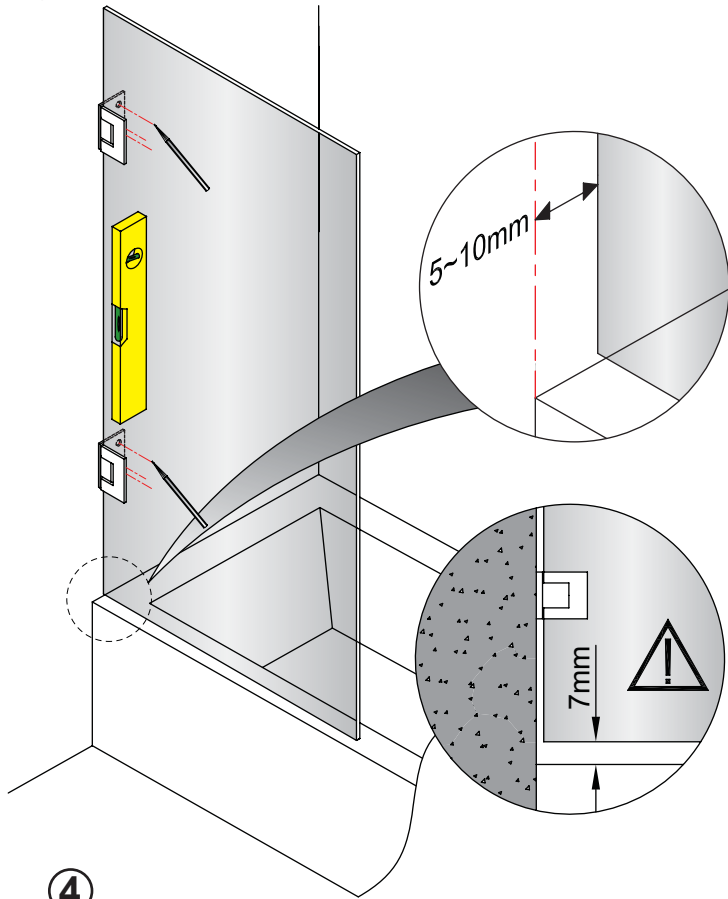
- Check the contents of the pack carefully before installation. The manufacturer will not be held responsible for any de-fit / re-fit costs where faulty product has been fitted.
- Make sure there are no hidden pipes or cables in the wall where you intend to drill.
- Handle glass with care. Although the glass supplied is toughened safety glass (AS/NZS 2208:1996), impacts can damage both the glass and the frame.
- Ensure that the bath has been installed by a suitably qualified person. The bath should be level and the walls should be tiled down to the bath and horizontal gap between the tiles and bath must be sealed with silicone sealant to ensure water-tightness.
- Follow each step in turn.

parts supplied:

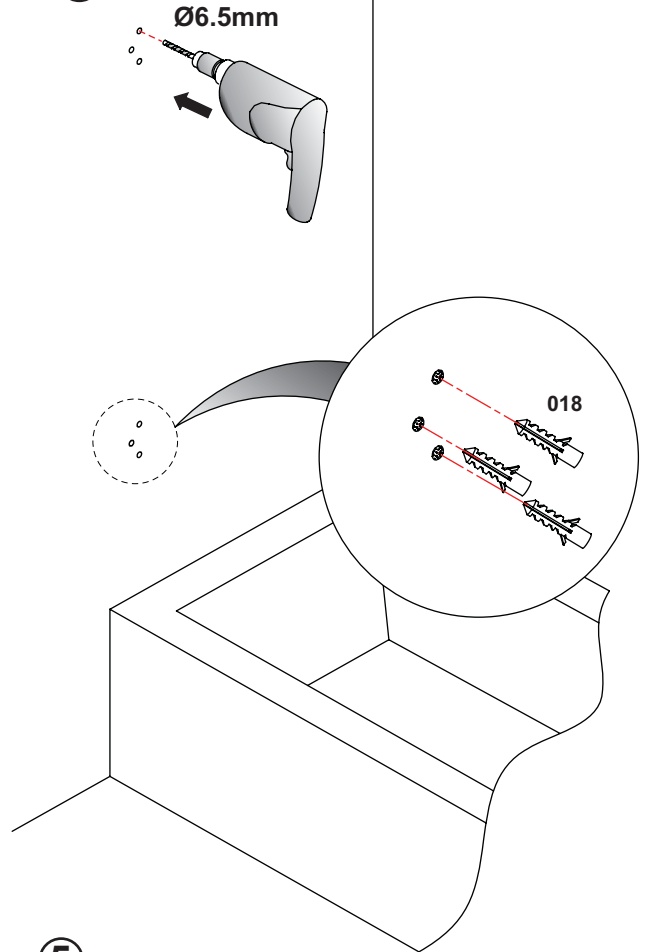
017 1x	018 6x	019 6x ST5 *50mm
020 2x	021 8x	022 2x
023 4x M6 *15mm	024 1x	025 4x
011 2x 4.0mm		



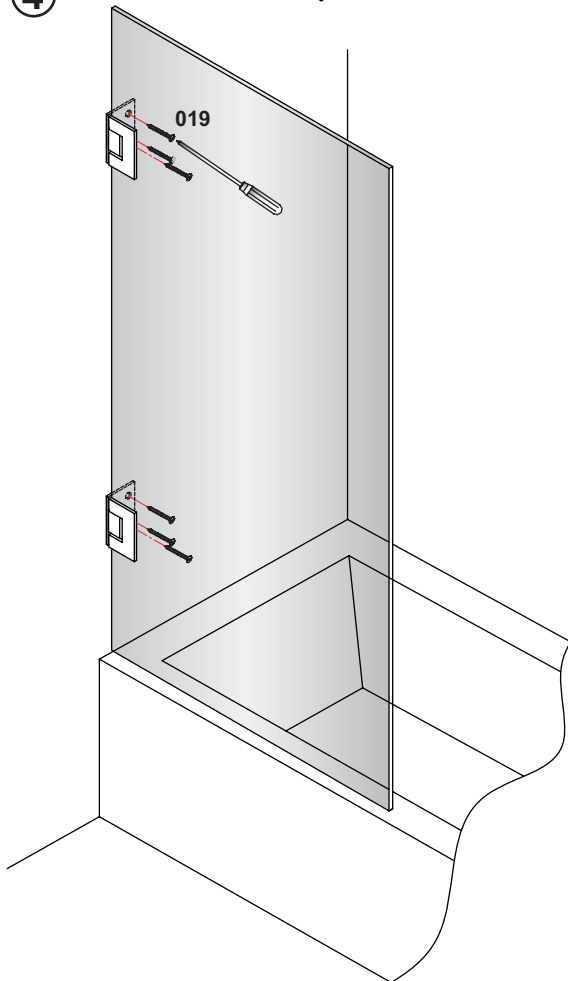
2



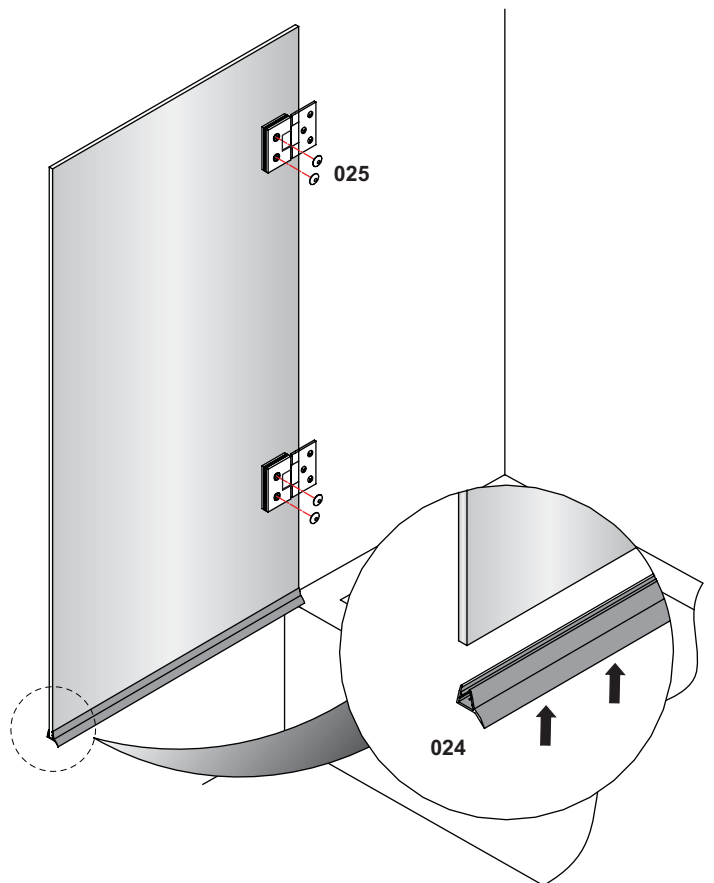
3



4



5



2

VICTORIA
(03) 9768 3577

NEW SOUTH WALES
(02) 9604 1620

SOUTH AUSTRALIA
(08) 8374 0877

NORTHERN TERRITORY
(08) 8947 0019

QUEENSLAND
(07) 3200 3544

WESTERN AUSTRALIA
(08) 9241 9111

NORTH QUEENSLAND
(07) 3208 9199

TASMANIA
(03) 6275 2600