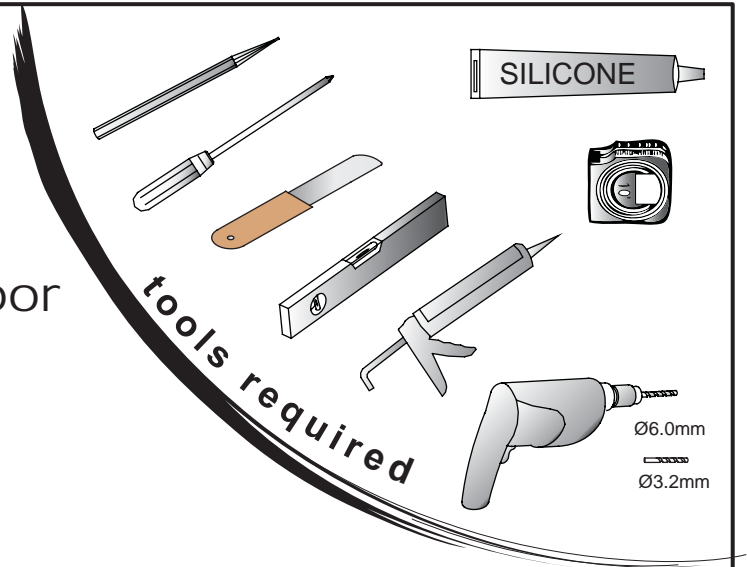
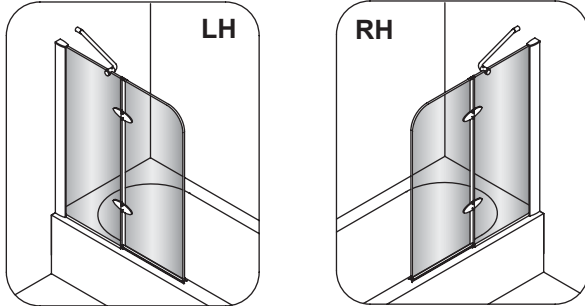


Balmain Bath Screen

one fixed + one moving door



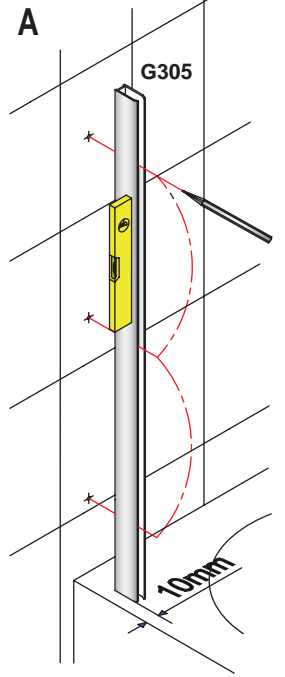
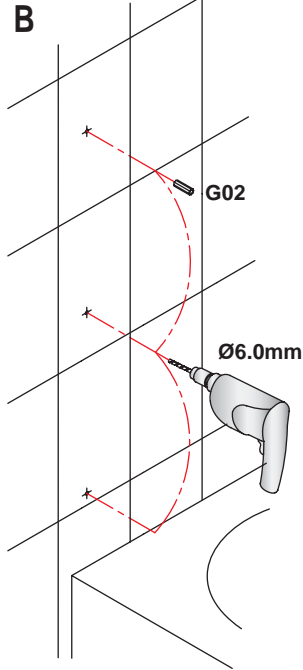
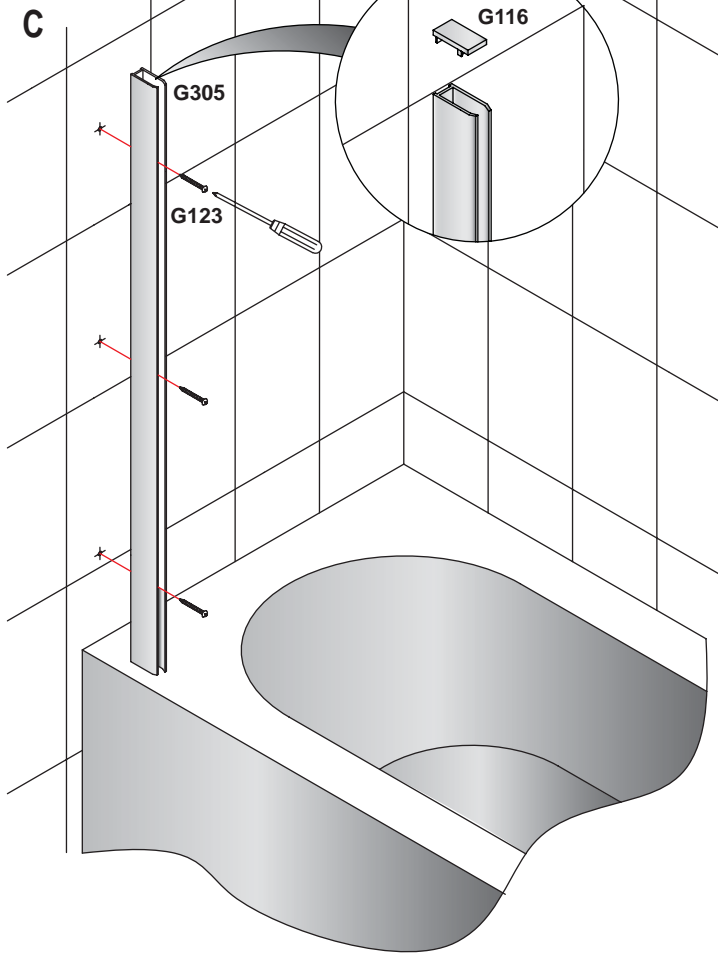
- Shower screen is reversible for installation: door can be either left or right opening.

- Prior to installation check that all fittings have been supplied.
- Make sure there are no hidden pipes or cables in the wall where you intend to drill.
- Handle glass with care, impacts can damage both the glass and the frame.
- Ensure that the bath has been installed by a suitably qualified person. The bath should be level, the walls should be tiled down to the bath, and the horizontal gap between the tiles and bath must be sealed with silicone sealant to ensure water-tightness.
- Follow each step in turn.

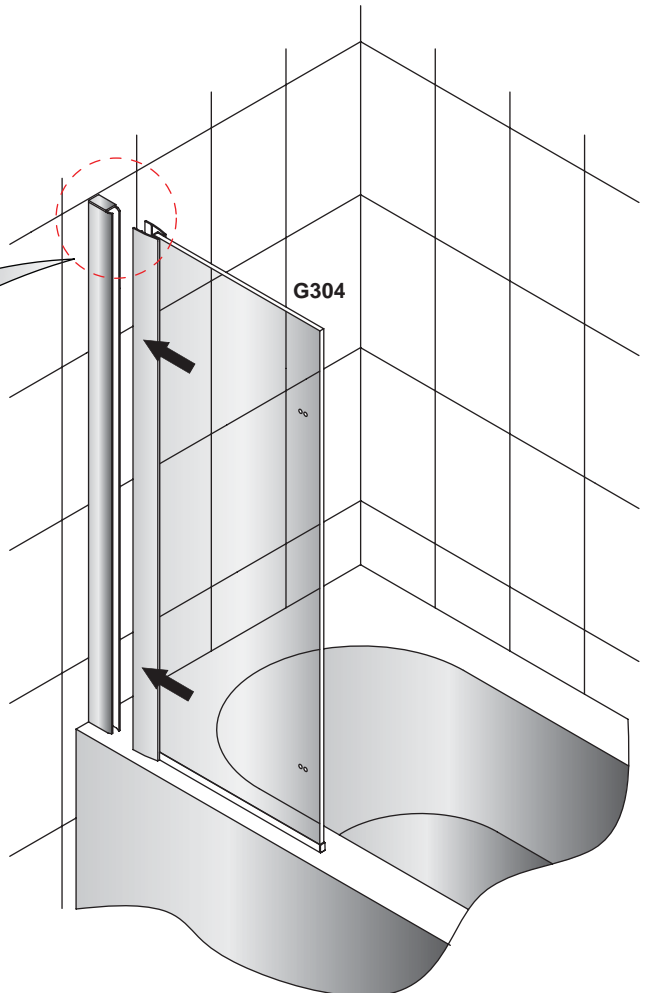
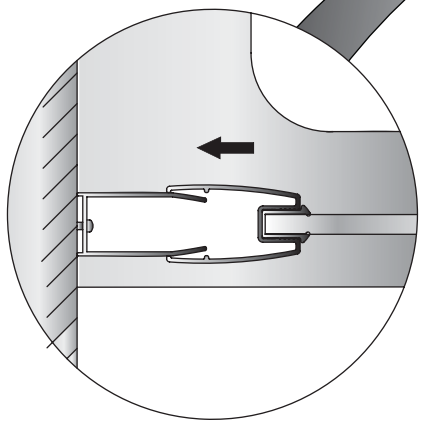
parts supplied:

G305 1x	G304 1x	G167 1x	G169 1x	G02 4x	G123 4x ST5 *30mm
				G109 1x	G111 1x
				G110 1x	G06 3x ST4 *12mm
				G112 8x	G126 2x
				G114 1x	G116 1x
		G170 1x	G245 1x 2.5mm	G07 1x 4mm	G158 1x

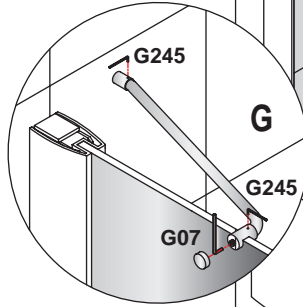
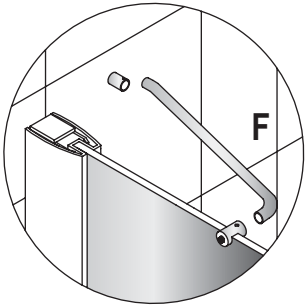
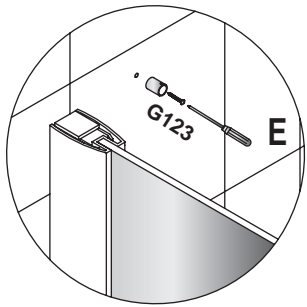
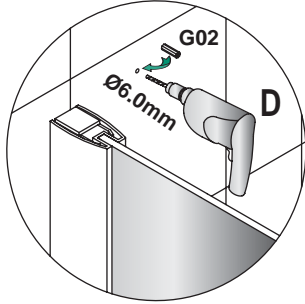
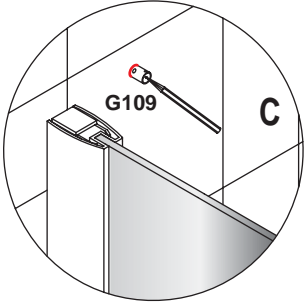
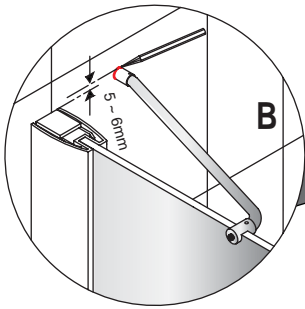
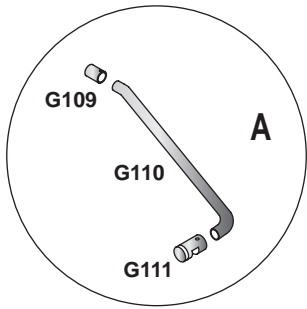
1



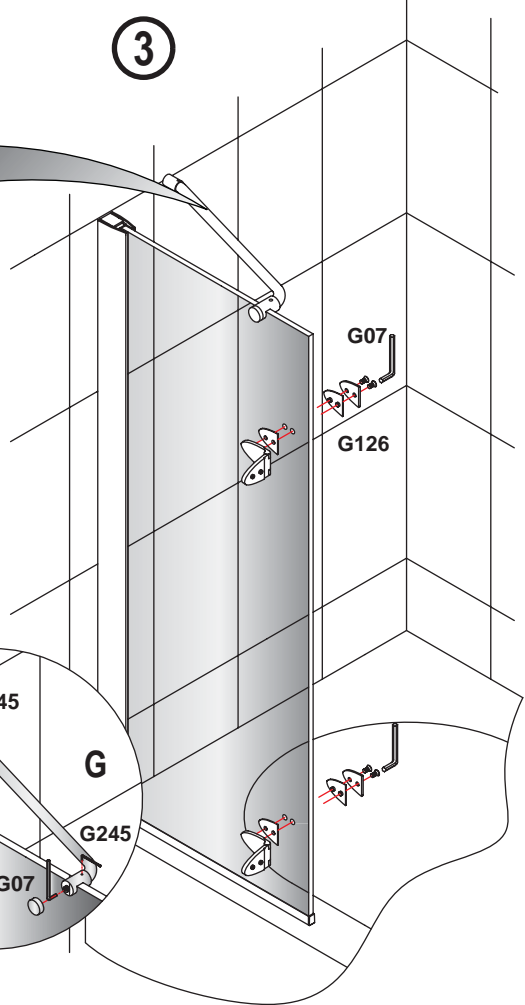
2



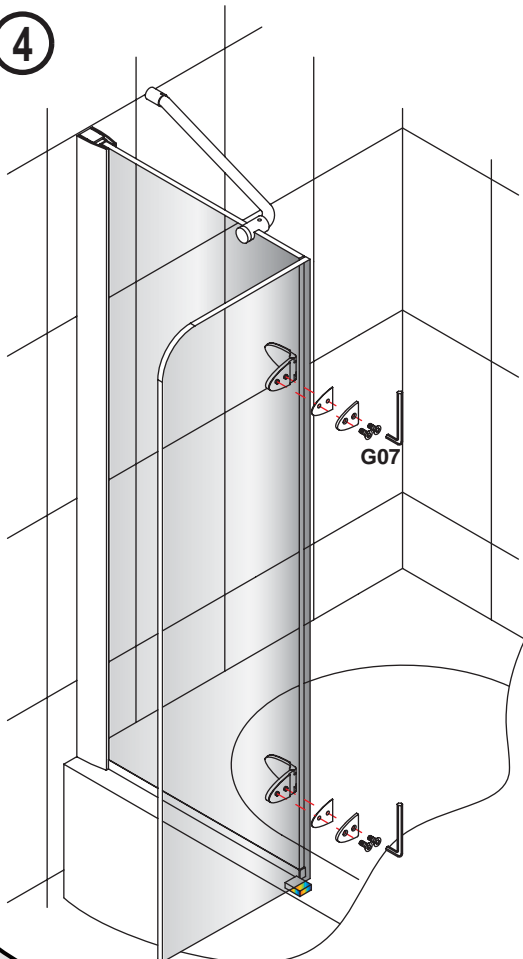
2



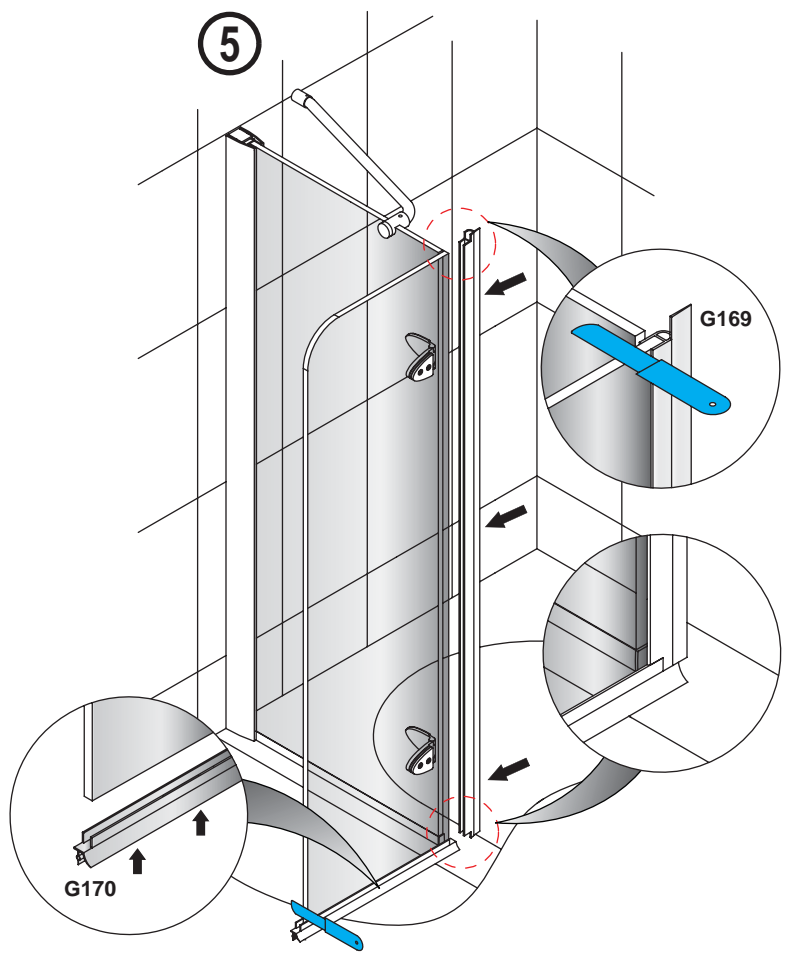
3



4



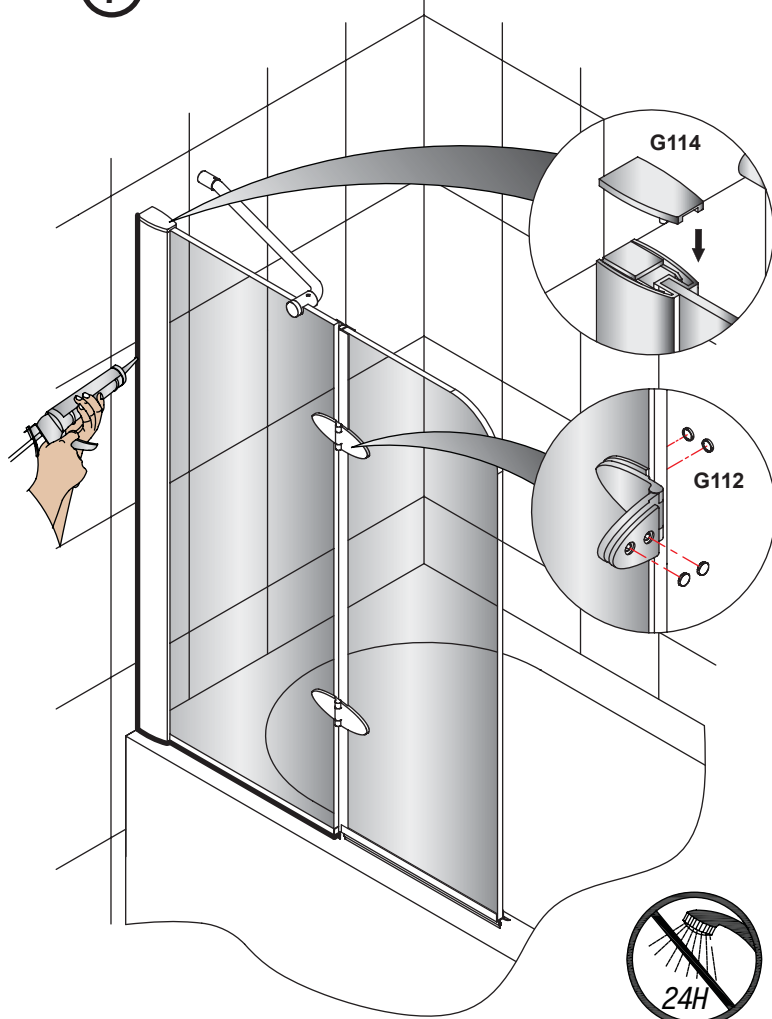
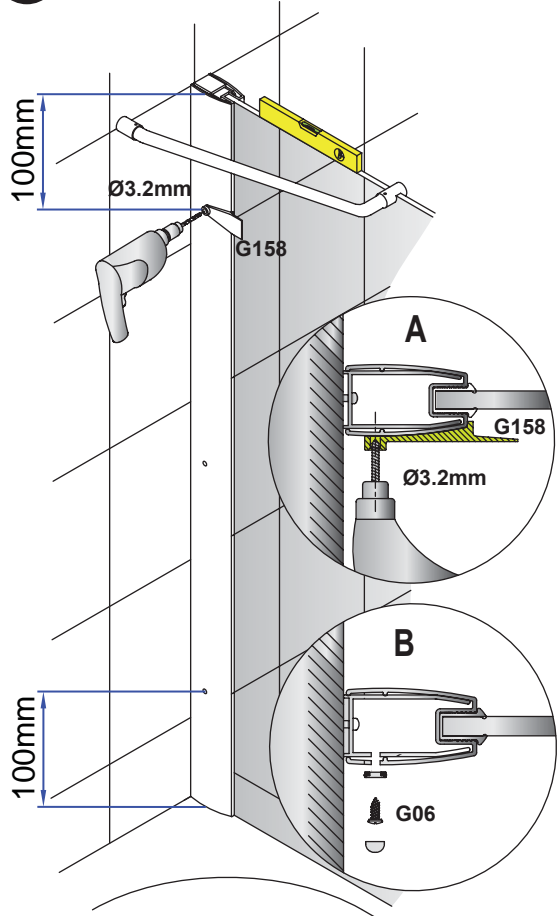
5



3

- 6** • Ensure that frame is square before fixing.
 • All fixings to be done on inside of the bath screen.

- 7** • Use of a non-acidic silicone is recommended.



! Only if adjustment is required loosen hinge to adjust door square, and then tighten hinge to secure.

