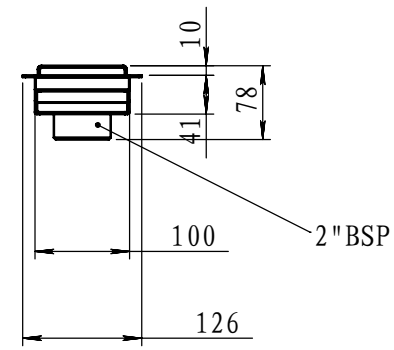
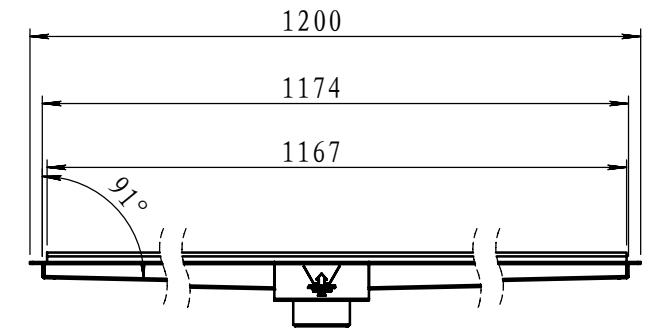
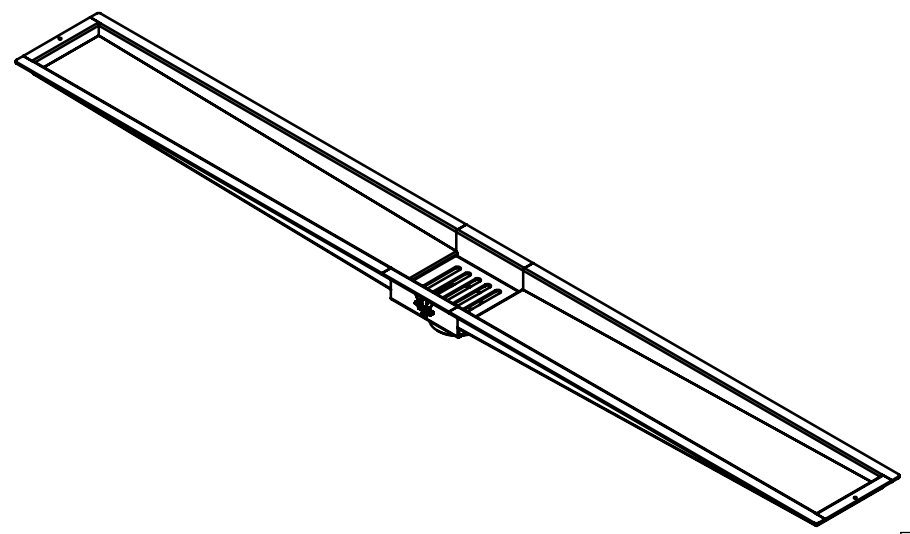
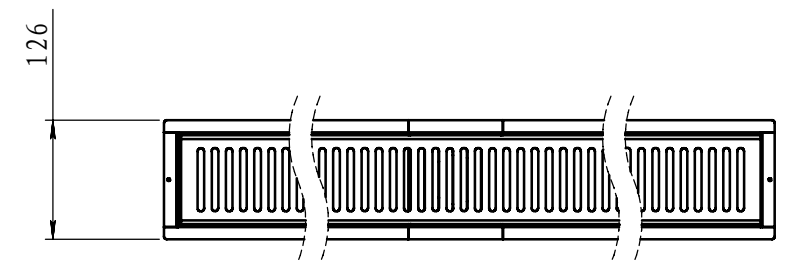
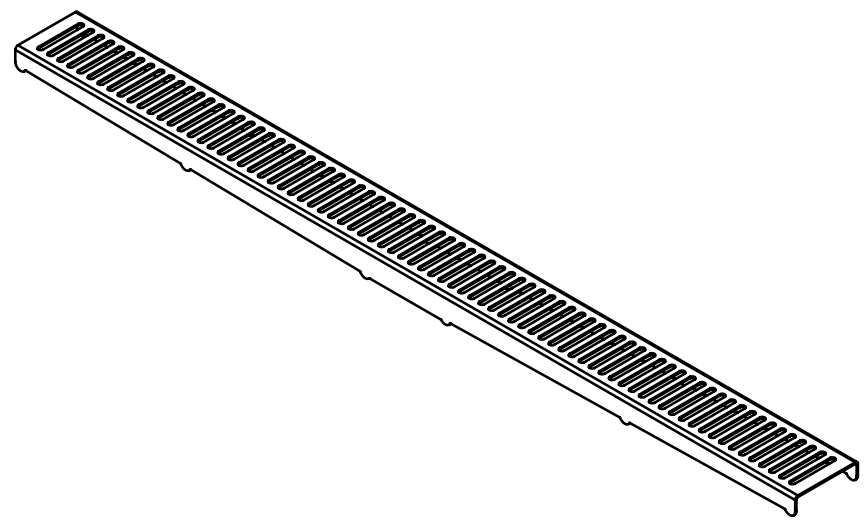
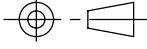


REV No.	REVISION NOTE	DATE




TOLERANCES TYP.
 LINEAR +/- 0.5mm
 ANGULAR +/- 0.5°
 ALL DIMENSIONS IN MILLIMETRES
 UNLESS NOTED OTHERWISE.
 DO NOT SCALE FOR CONSTRUCTION
 PURPOSES.


 11 LIGOLA CRESCENT DANDENONG SOUTH, VIC3175
 Tel: (03) 9768 3577 Fax: (03) 9768 3606
 Web: www.lanark.com.au

DESIGNED	LUCKY	DATE	2010-10-29
DRAWN	LUCKY	SHEET SIZE	A4
CHECKED	JINF	SCALE	1:8

SHOWER CHANNEL 1200			
PROJECT No.	SC-1200	SHEET No.	1 OF 1
		REVISION	

