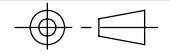
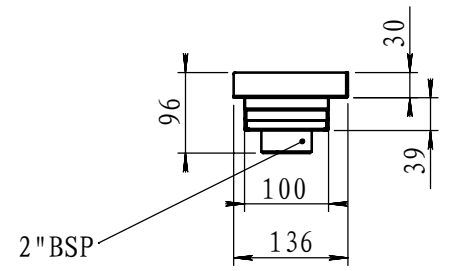
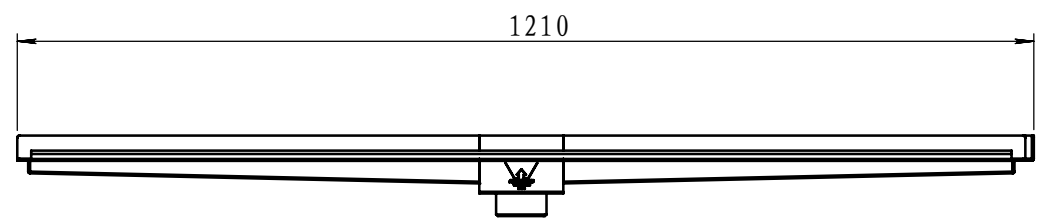
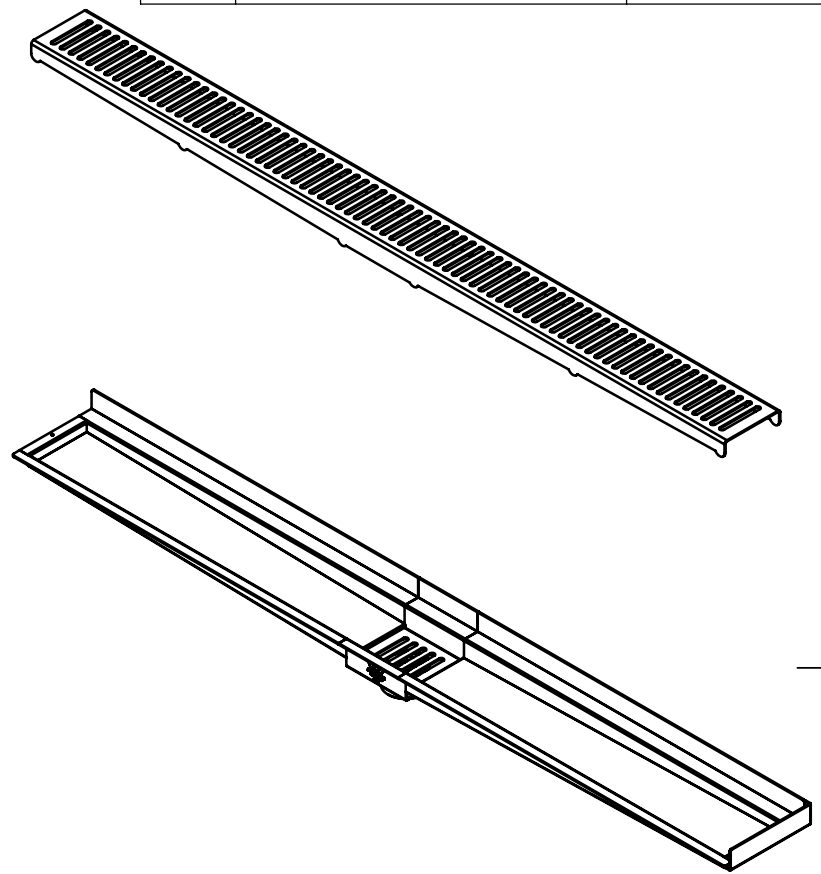
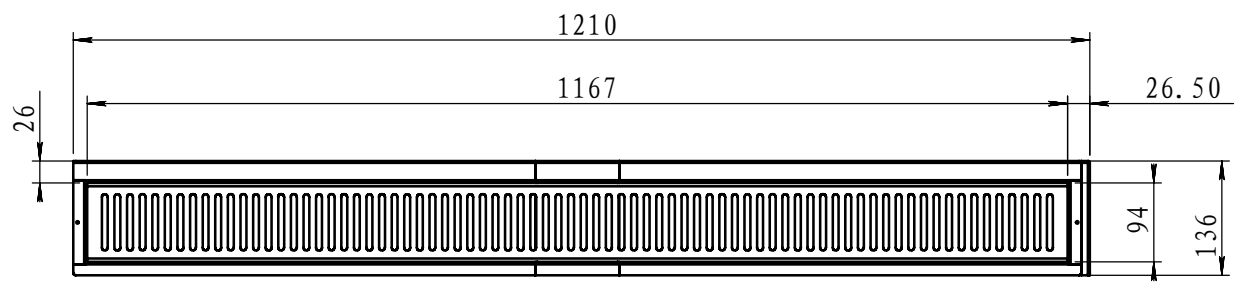


REV No.	REVISION NOTE	DATE



TOLERANCES TYP.
 LINEAR +/- 0.5mm
 ANGULAR +/- 0.5°
 ALL DIMENSIONS IN MILLIMETRES
 UNLESS NOTED OTHERWISE.
 DO NOT SCALE FOR CONSTRUCTION
 PURPOSES.



11, LIDCOLA CRESCENT DANBERRING SOUTH VIC 3175
 Tel: (03) 9748 3577 Fax: (03) 9748 3636
 Web: www.lanark.com.au

DESIGNED	LUCKY	DATE	2010-11-2
DRAWN	LUCKY	SHEET SIZE	A4
CHECKED	JINF	SCALE	1:9
THIS DRAWING IS COPYRIGHT. NO PART OF THIS DRAWING MAY BE REPRODUCED WITHOUT WRITTEN PERMISSION OF THE AUTHOR.			

PROJECT No.		SHEET No.		REVISION
		SC-1200-DB-R		
1 OF 1				

SHOWER CHANNEL 1200DBR