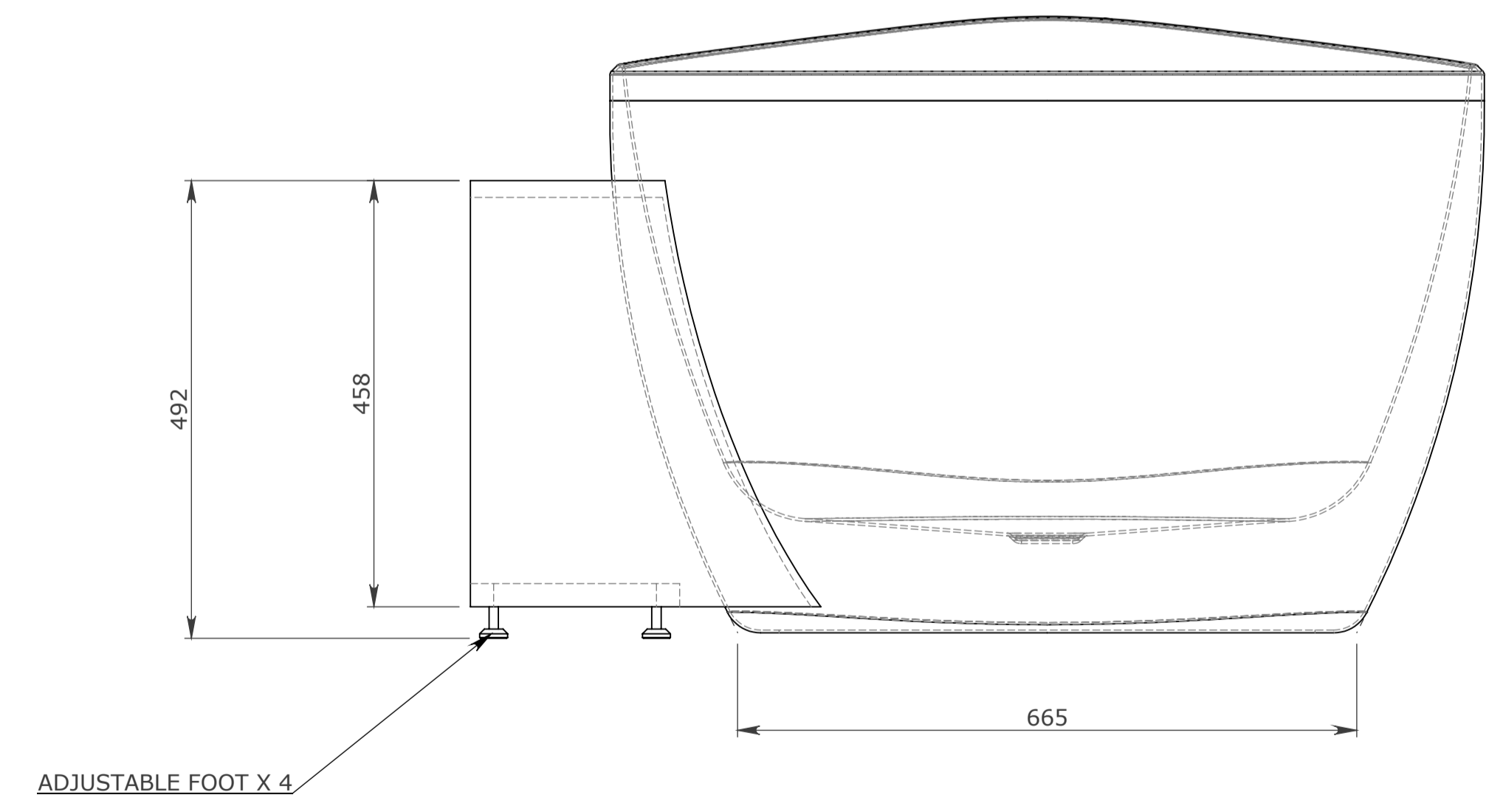
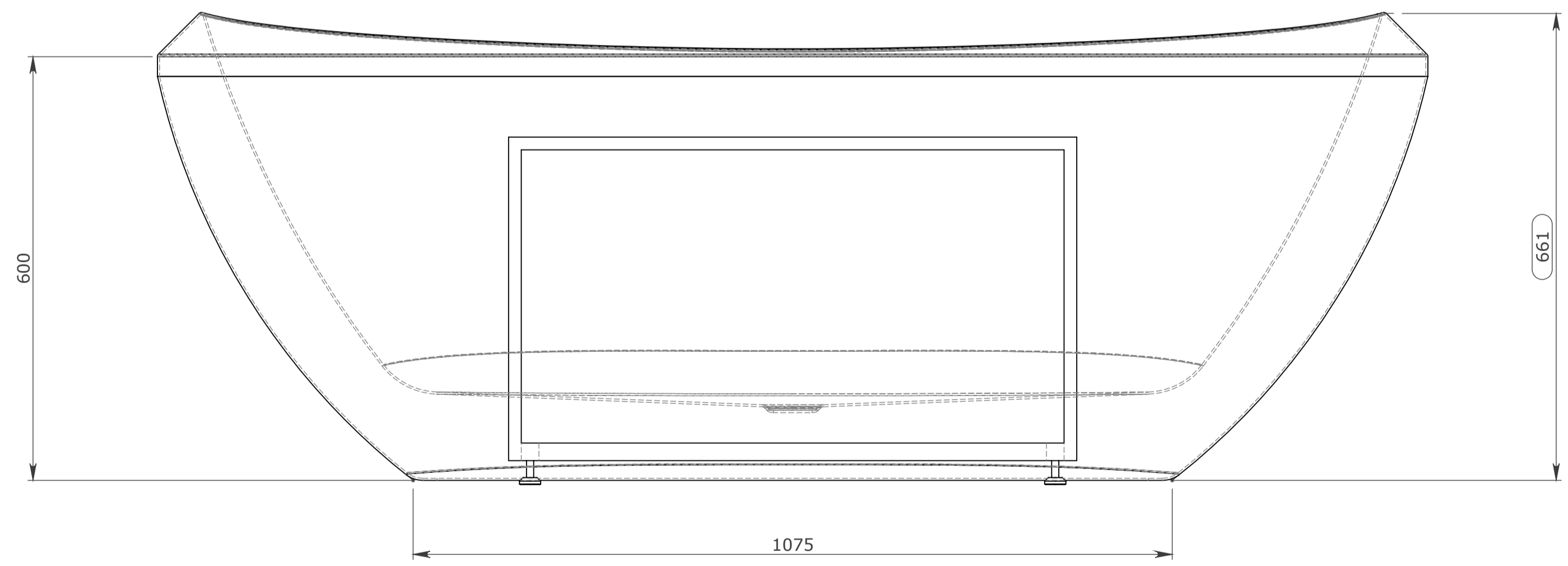
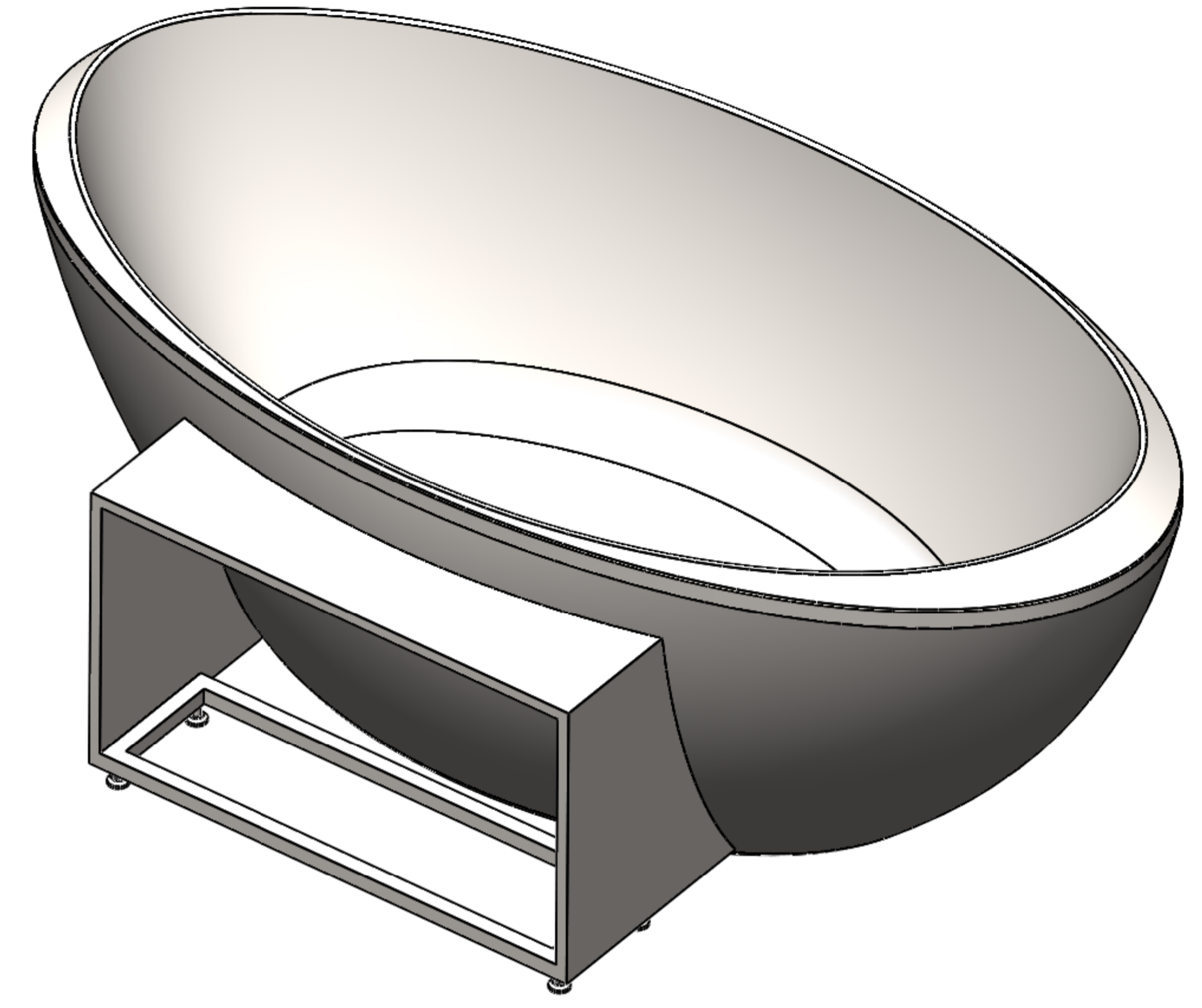
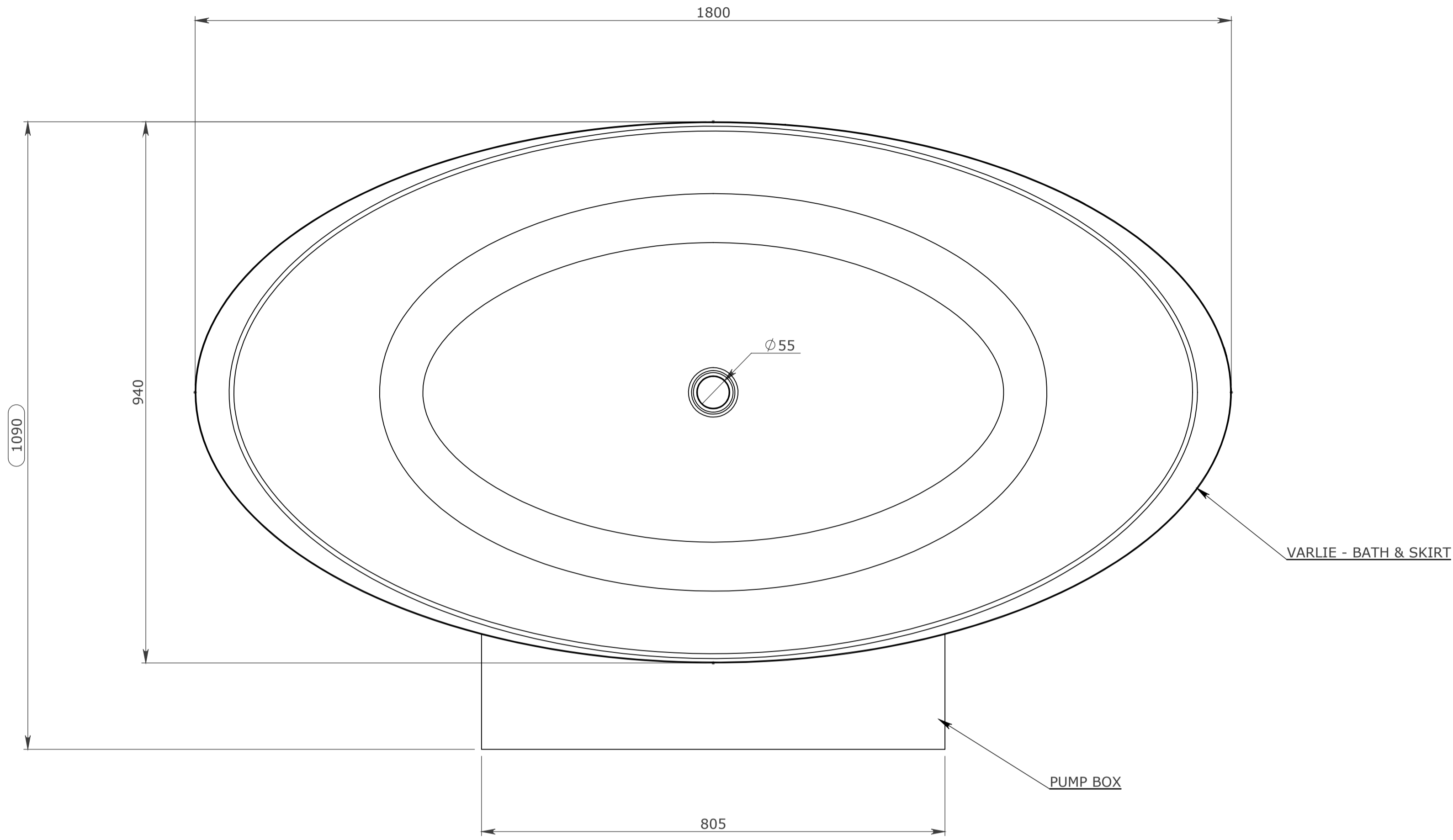


ISSUE TABLE			
REV.	DESCRIPTION	DATE	APPROVED



PROJECT		 <small>GENERAL TOLERANCE: +/- 0.1mm</small>	<small>BREAK SHARP EDGES 0.5mm U.O.S.</small>	 www.lanark.com.au	PART NAME	
CLIENT					DAPHNE - SPA BATH	
ISSUE STATUS	PRELIMINARY - ISSUE FOR APPROVAL	DRAWING DATE	21/06/2010	<small>ALL INFORMATION CONTAINED ON THIS AND ATTACHED DRAWINGS REMAINS THE SOLE PROPERTY OF LANARK AND MAY NOT BE COPIED WITHOUT PERMISSION.</small>	DWG NO.	
MATERIAL	Material <not specified>	DRAWING CREATED DATE	17/06/2010		V1287-00-00	
QTY	REF TO GA AND BILL OF MATERIALS	MODEL CREATED DATE	21/06/2010		A1	
MACHINING		DRAWN BY	VIEW7		SHEET SCALE: 1:6	
SURFACE FINISH		DESIGN BY	VIEW7		SHEET 1 OF 2	
FABRICATION FINISH		DESIGN VERSION	1			
FINISH		V7 PROJECT #	V71287			
MASS	23536.220 GRAMS	VOLUME	23536219.833 mm ³			
FILE NAME	V1287-00-00_DAPHNE_SPA BATH					