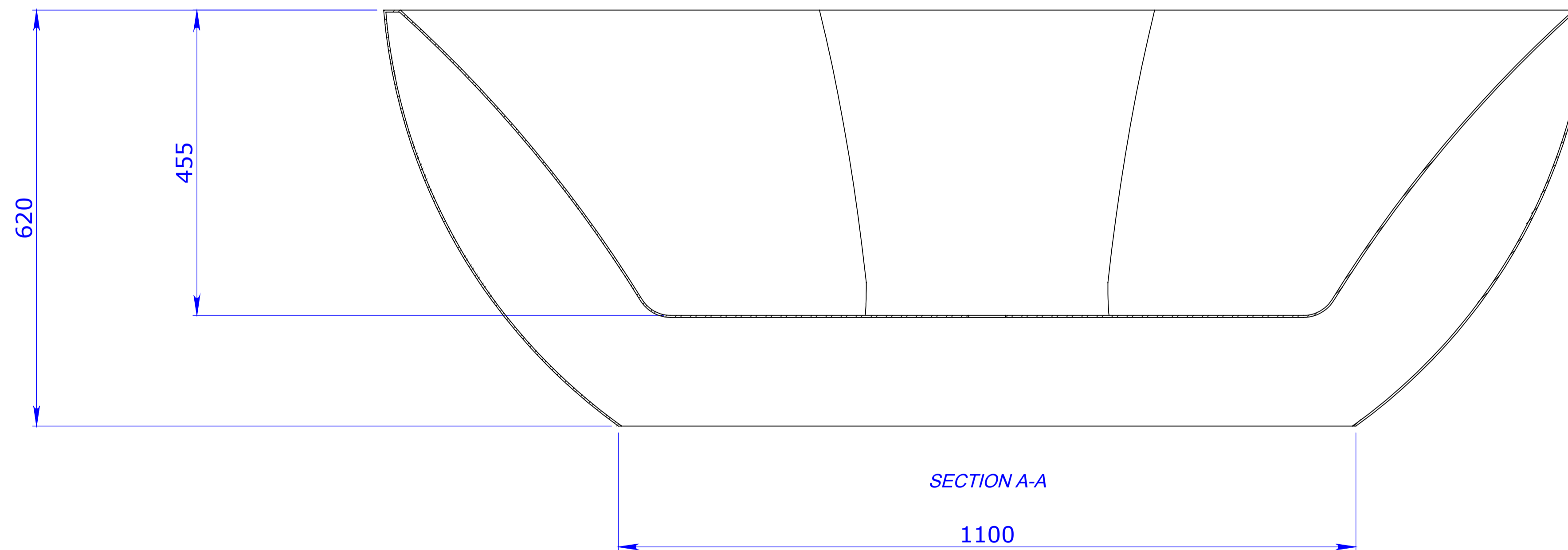
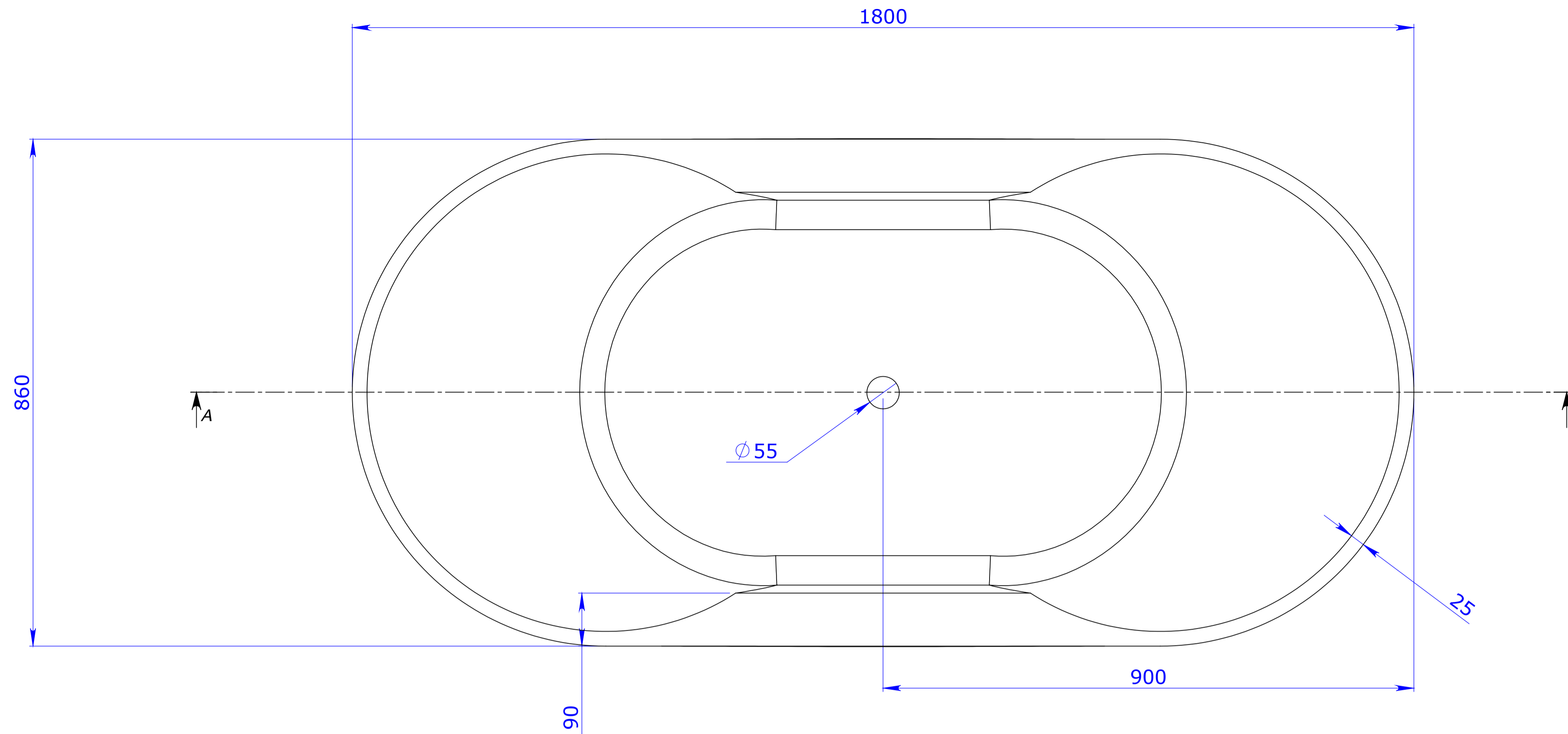


REV.	DESCRIPTION	DATE	APPROVED
A	FIRST ISSUE	30/04/2010	



PROJECT		 3RD ANGLE <small>GENERAL TOLERANCE: +/- 0.1mm</small>	<small>BREAK SHARP EDGES 0.5mm U.O.S.</small>
CLIENT			
ISSUE STATUS		DRAWING DATE	3/06/2010
MATERIAL	Material <not specified>	DRAWING CREATED DATE	3/06/2010
QTY	REF TO GA BILL OF MATERIALS	MODEL CREATED DATE	3/06/2010
MACHINING		DRAWN BY	VIEW7
SURFACE FINISH		DESIGN BY	VIEW7
FABRICATION		DESIGN VERSION	1
FINISH		V7 PROJECT #	V71276
MASS	15556.79	GRAMS	VOLUME 15556794.73
FILE NAME	V1276-01_JEANINNE 1800	DRAG ISSUE	A

**Lanark**  
BATHROOM WARE

www.lanark.com.au

ALL INFORMATION CONTAINED ON THIS AND ATTACHED DRAWINGS REMAINS THE SOLE PROPERTY OF LANARK AND MAY NOT BE COPIED WITHOUT PERMISSION.

PART NAME	JEANINNE 1800	
	FREE STANDING BATH	
DWG NO.	V1276-00-01	A1
SHEET SCALE:	1:5	SHEET 1 OF 1