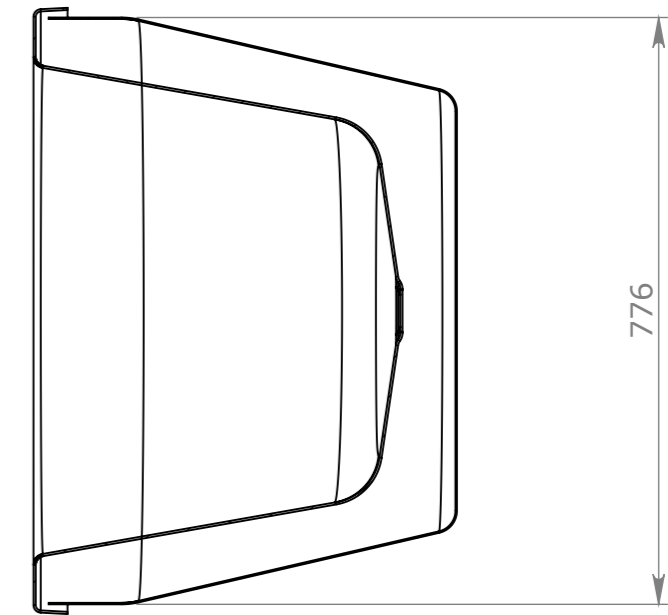
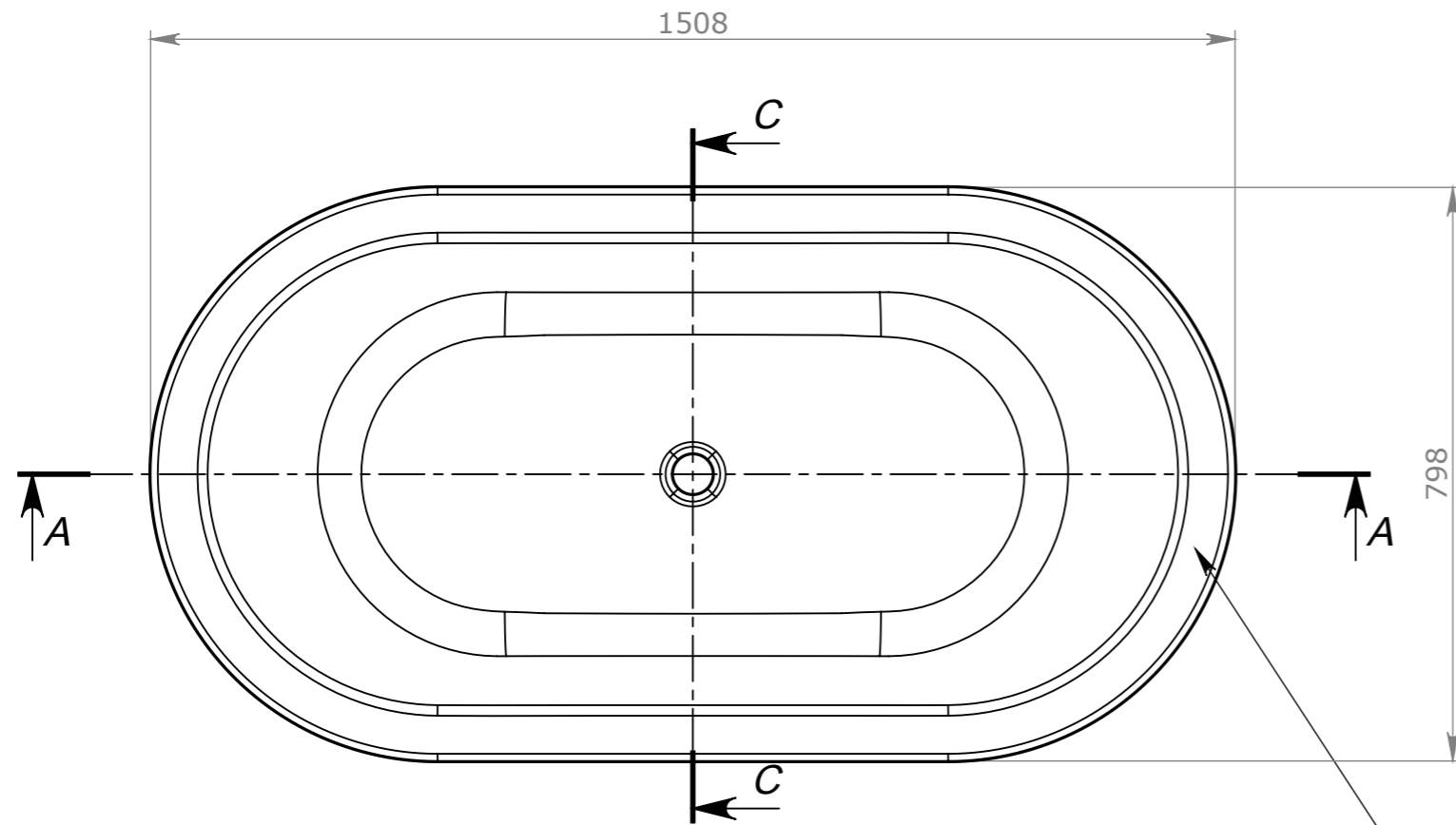


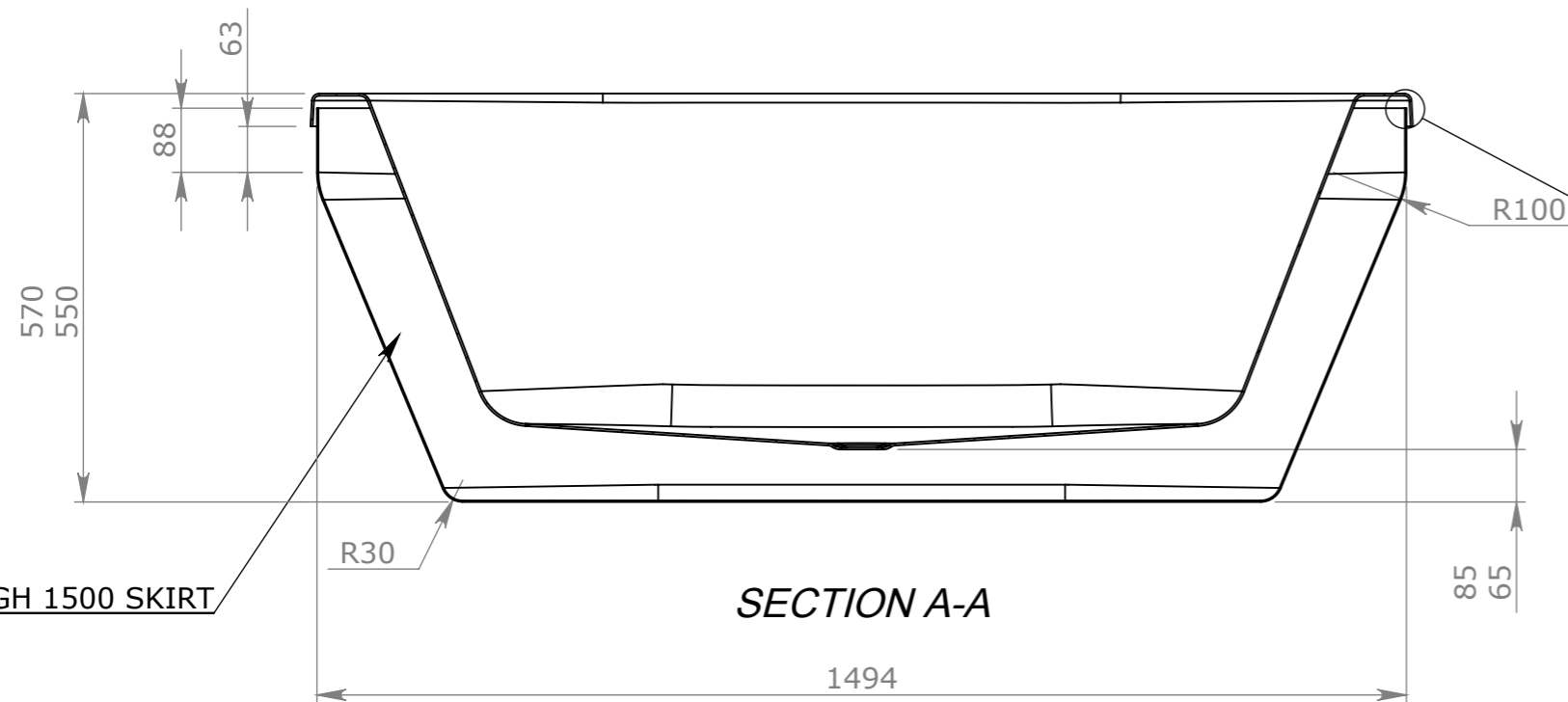
ISSUE TABLE			
REV.	DESCRIPTION	DATE	APPROVED
A	FIRST ISSUE	29/06/2010	
B	UPDATE DIMENSIONS	22/11/2010	



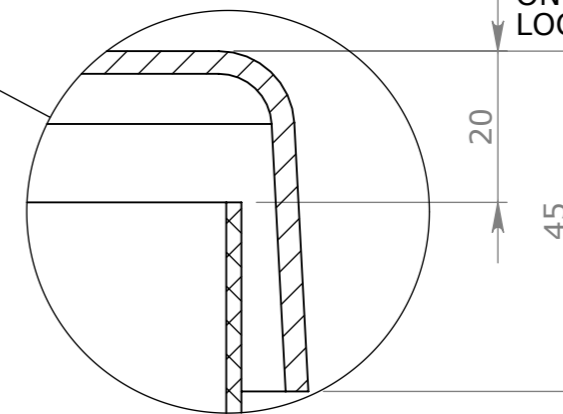
VISIBLE VERTICAL SECTION APPROX. 65mm.

ANGIE 1500 BATH

SECTION C-C



THE 20mm DIMENSION WILL NEED TO BE CONFIRMED BASED ON THE DIMENSIONS OF THE LOCATING CLIPS TO BE USED.



DETAIL B
SCALE 1:1

PROJECT	
CLIENT	
ISSUE STATUS	
MATERIAL	Material <not specified>
QTY	REF TO GA BILL OF MATERIALS
MACHINING	
SURFACE FIN	
FABRICATION	
FINISH	
MASS	12796.843 GRAMS
VOLUME	11798863.057 mm ³
FILE NAME	v1233-10-00_LEIGH 1500_BATH & SKIRT

3RD ANGLE	BREAK EDGES 0.5mm U.O.S.
GENERAL TOLERANCE: +/- 0.1mm	
DRAWING DATE	22/11/2010
DRAWING CRATED DATE	4/06/2010
MODEL CREATED DATE	4/06/2010
DRAWN BY	VIEW7
DESIGN BY	VIEW7
V7 PROJECT	V1233
DESIGN REV	2
ISSUE	B



www.lanark.com.au

PART NAME	LEIGH 1500
SUB ASSY NAME	BATH & SKIRT
GENERAL ASSY NAME	
DWG NO.	V1233-10-00
SHEET SCALE:1:10	SHEET 1 OF 1

A3

UOS ALL DIMS IN MILLIMETRES IF IN DOUBT ASK
ALL INFORMATION/DESIGNS/CONCEPTS CONTAINED ON THIS AND ATTACHED DRAWINGS REMAINS THE SOLE PROPERTY OF VIEW7 AND MAY NOT BE COPIED OR USED WITHOUT PERMISSION.