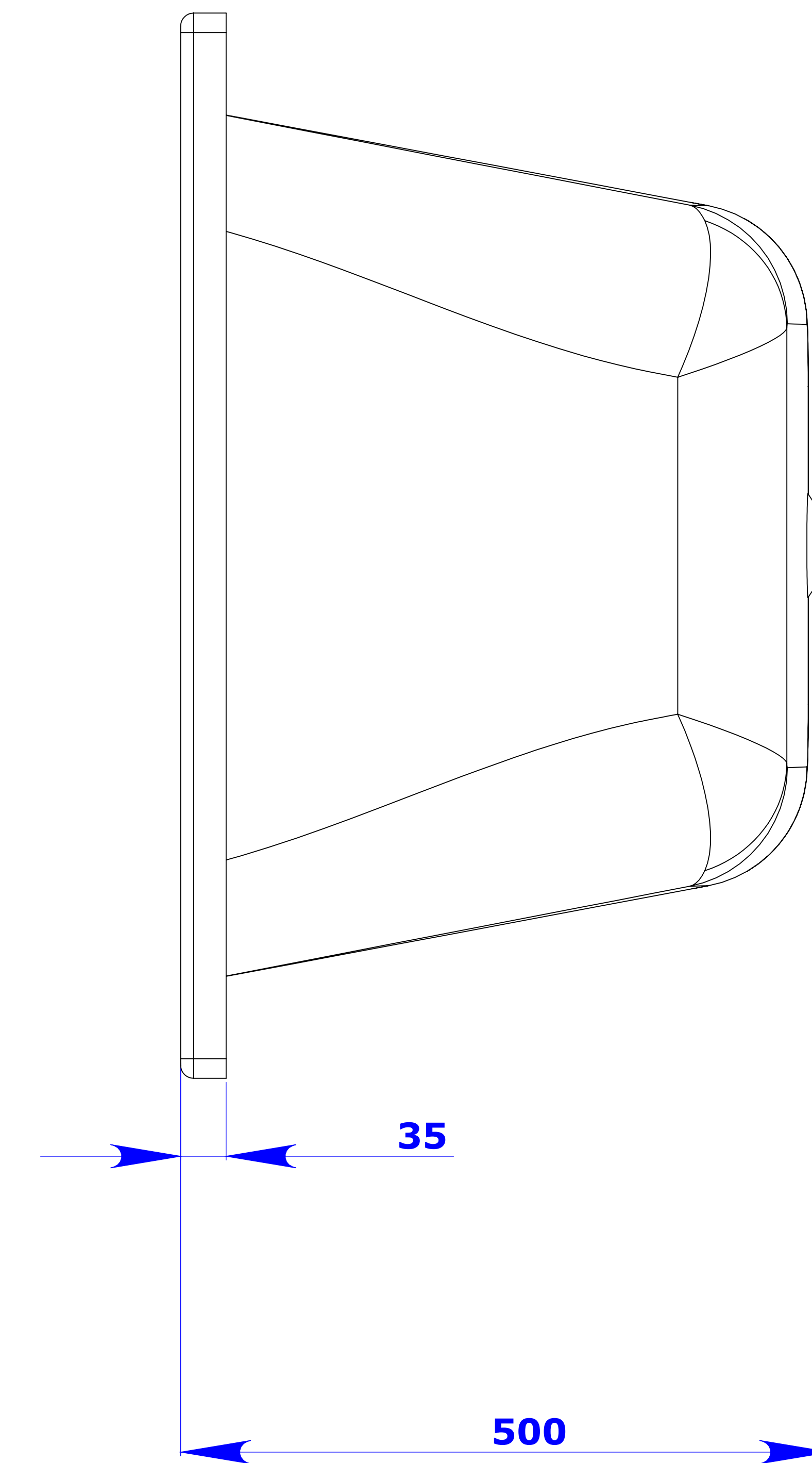
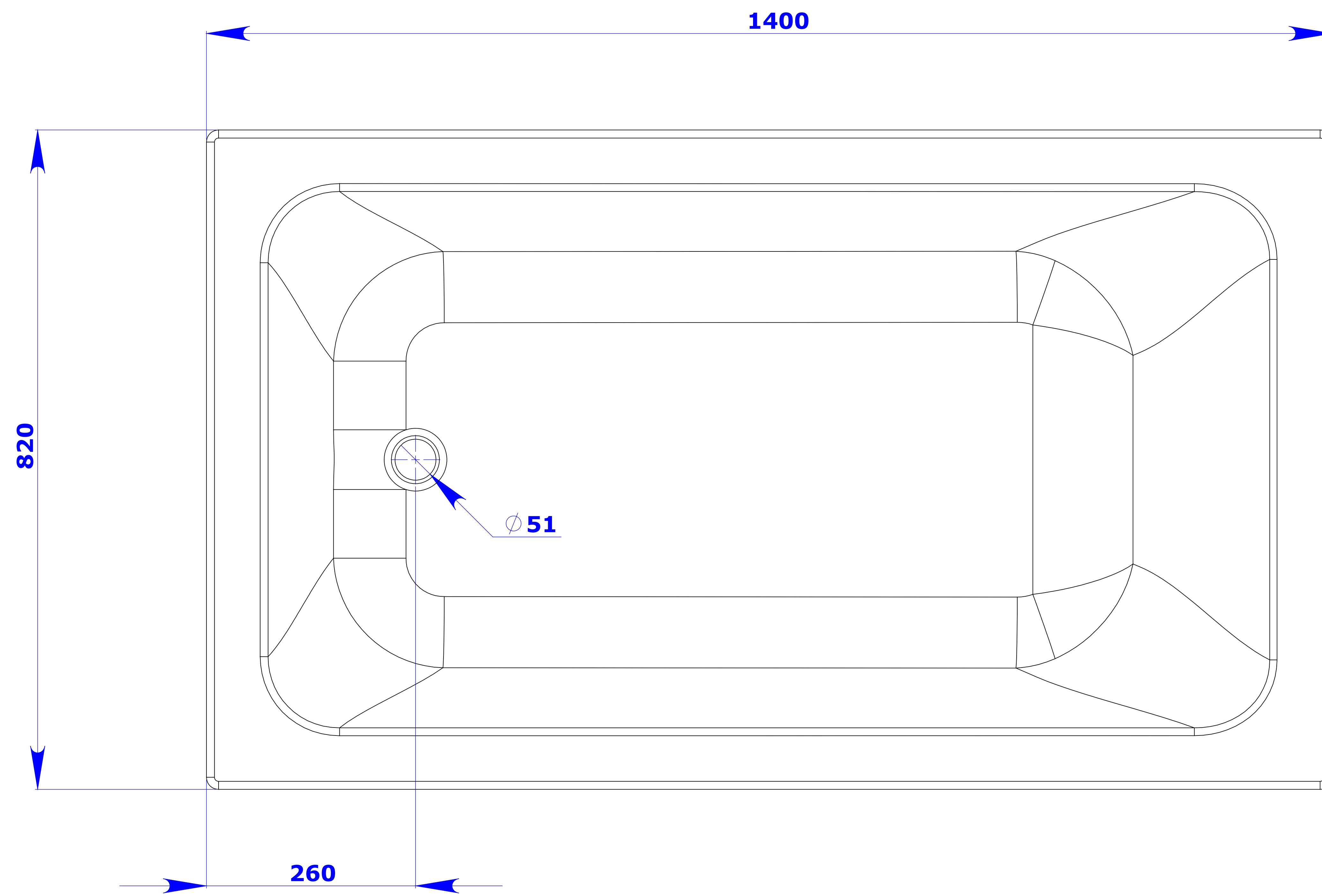


REV.	DESCRIPTION	DATE	APPROVED
	REVISION TABLE		



PRELIMINARY ISSUE - NOT FOR MANUFACTURE

APPROVED FOR	SIGNED	DATE
QUOTATION		
MATL ORDER		
MANUFACTURE		
REWORK		

#	NOTES	PROJECT	CLIENT
1			
2			
3			
4			
5	MATERIAL	Material <not specified>	
6	QTY		
7	TOT QTY		
8	FINISH		
9	VENDOR		
10	FILE NAME	V774-43_MIZU 1400	
11	WELDING	UOS ALL FABRICATIONS TO BE FULLY WELDED WITH CORRECT PREPARATION OF WELD SURFACES INCLUDING REVELLED EDGES ETC	

Lanark
BATHROOMWARE
SPAS & HOT TUBS

Design by View7

VICTORIA - HEAD OFFICE
Ph: (03) 9768 2577
Fax: (03) 9768 3636
Email: vcs@lanark.com.au

GENERAL TOLERANCE +/- 0.5mm
3RD ANGLE
DEBUR AND BEVEL SHARP EDGES
U.O.S.

DRAWN: [Signature]
CHK'D: [Signature]
APP'D: [Signature]
WFO: [Signature]

DATE: 20/06/2009

CUSTOMER

TITLE: **MIZU 1400**

DWG NO.: V774-43

SHEET SCALE: 1:3