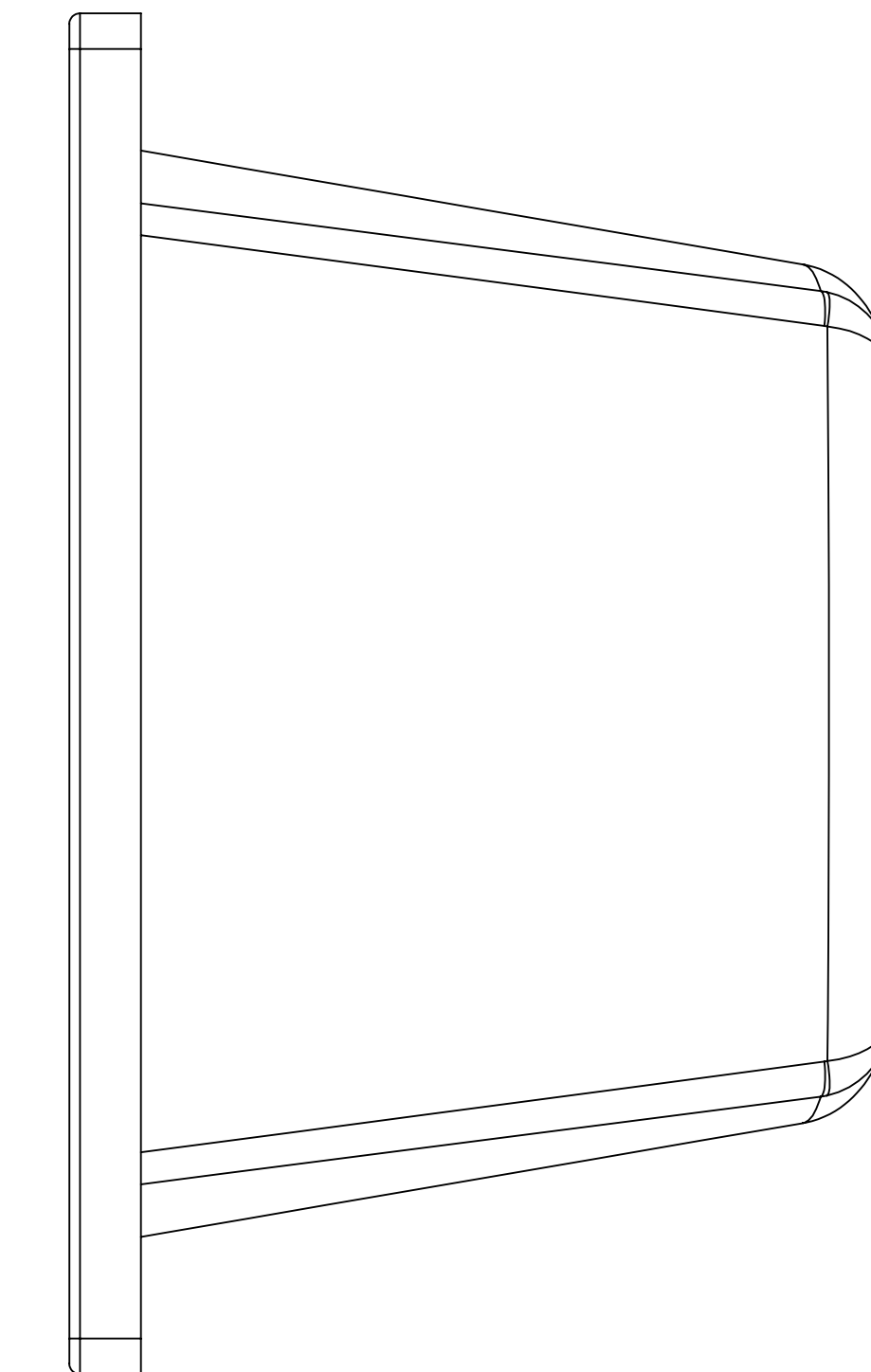
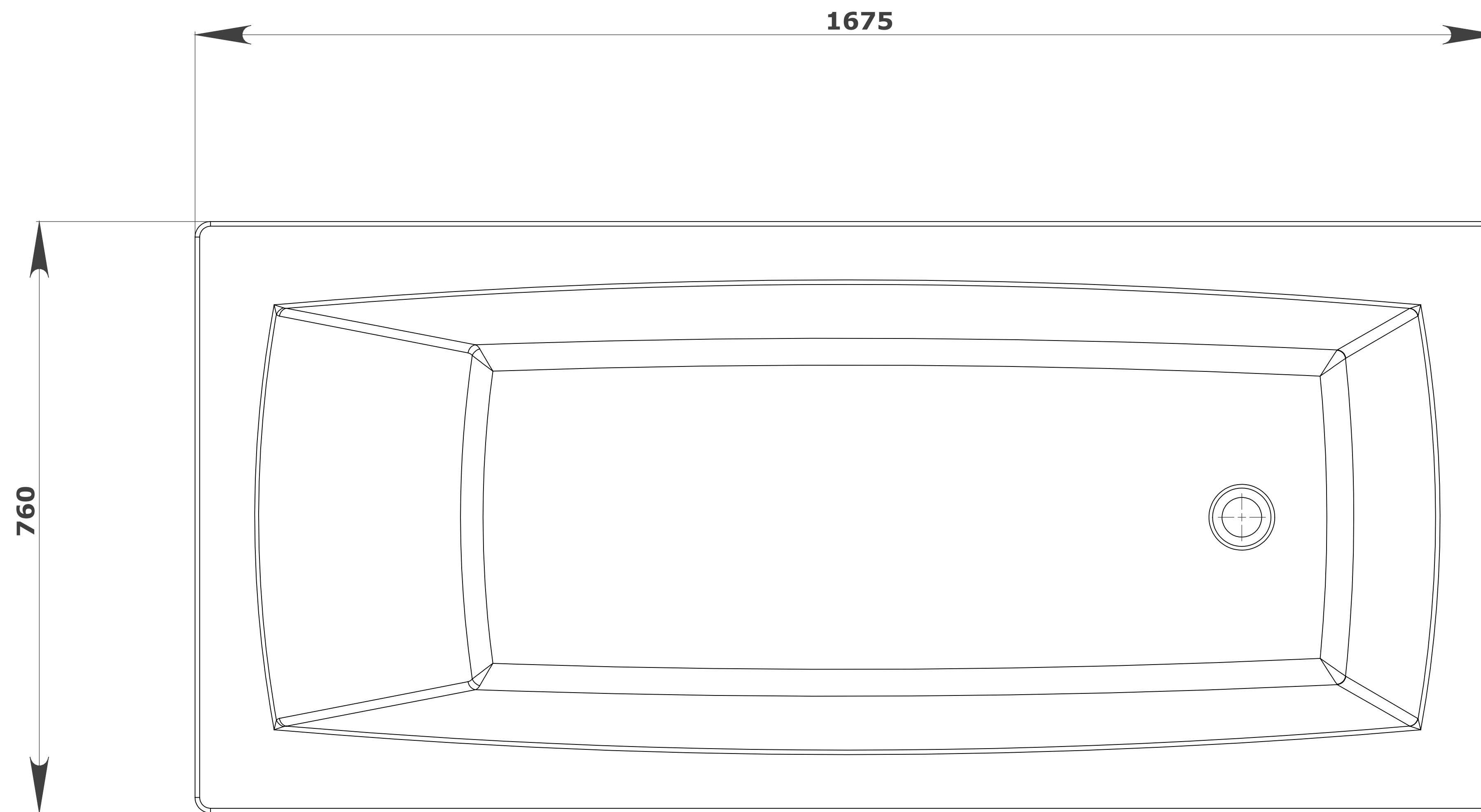


REV	DESCRIPTION	DATE	APPROVED
REVISION TABLE			



PRELIMINARY ISSUE - NOT FOR MANUFACTURE

APPROVED FOR	SIGNED	DATE
QUOTATION		
MATL ORDER		
MANUFACTURE		
REWORK		

#	NOTES	PROJECT	CLIENT
1			
2			
3			
4			
5	MATERIAL		
6	QTY		
7	TOT QTY		
8	FINISH		
9	VENDOR		
10	FILE NAME	v518-02 -TARA-1675	
11	WELDING	UOS ALL FABRICATIONS TO BE FULLY WELDED WITH CORRECT PREPARATION OF WELD SURFACES INCLUDING REVELLED EDGES ETC	

Lanark
BATHROOMWARE
SPAS & HOT TUBS

Design by View7

VICTORIA - HEAD OFFICE
PH: (03) 9768 2577
FAX: (03) 9768 3636
EMAIL: vc518@lanark.com.au

3RD ANGLE
DEBUR AND
BREAK SHARP
EDGES
GENERAL TOLERANCE +/- 0.5mm
U.O.S.

DRAWN: VIEW7
CHECKED: []
APP'D: []
WFO: []
DESIGN: REV []

CUSTOMER: **TARA 1675**

DWG NO.: **V518-02**

DATE: 31/10/2008

SIGNATURE: []
DATE: []

PROJECT # **V770518**

DATE: []

ALL DIMENSIONS GIVEN UNLESS OTHERWISE SPECIFIED. THESE DIMENSIONS ARE THE SOLE PROPERTY OF LANARK AND MAY NOT BE COPIED OR REPRODUCED WITHOUT PERMISSION.

SHEET SCALE: 1:4 SHEET 1 OF 1