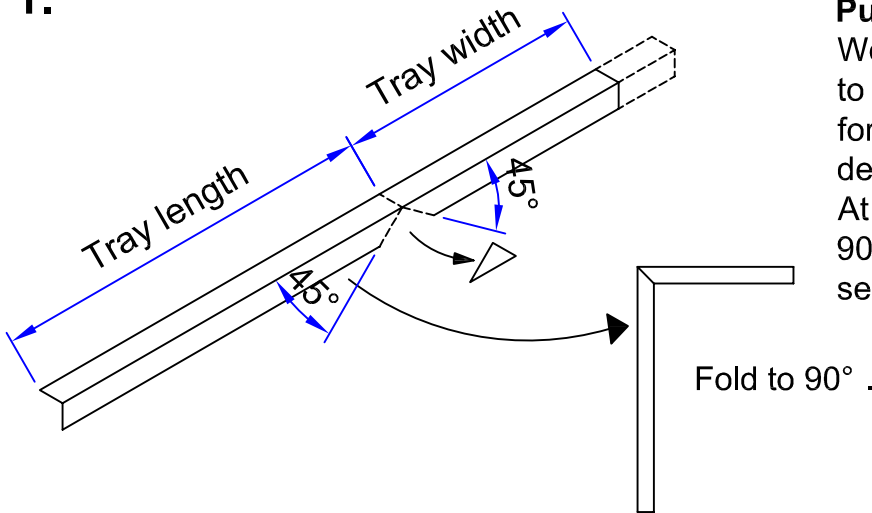
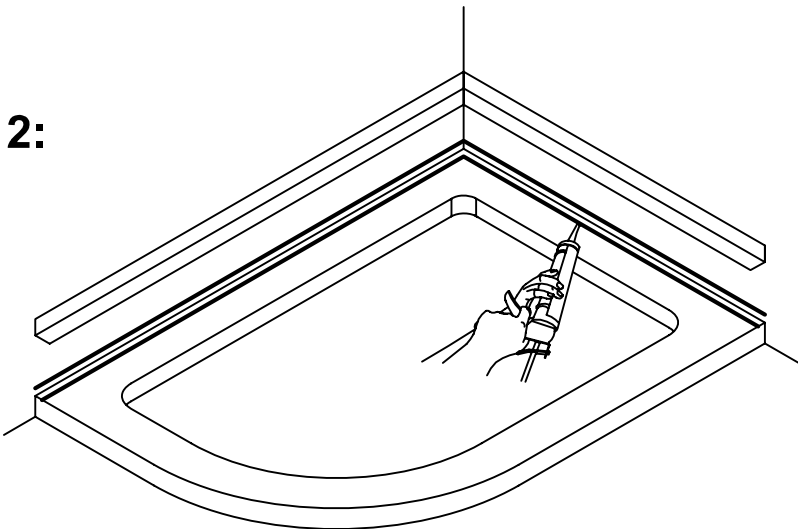


1:



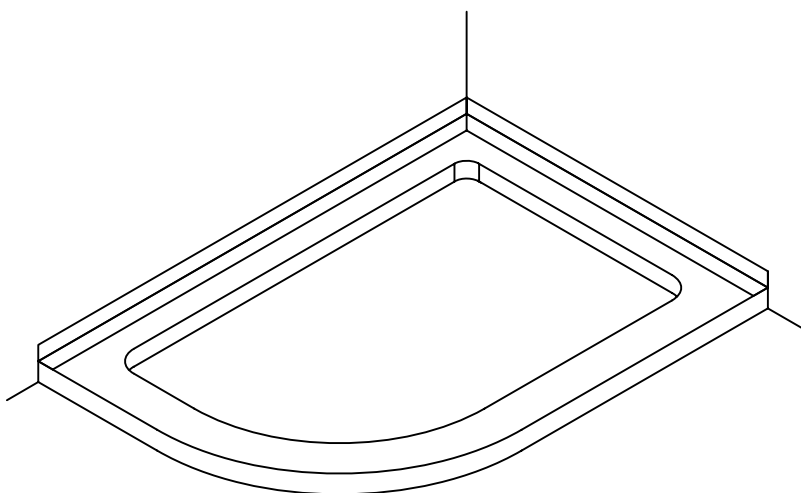
Putting in the 90 degree angle.
 Work out where you need the strip to be cut following the tray size. i.e. for a 1200 x 900 tray, make 2 x 45 degree cuts at the 1200mm point. At the 2100mm point (1200mm + 900mm) cut away the excess section.

2:



Place a line bead of antifungal silicone on the edge of the tray and wall.

3: Press the PVC strip to wall and tray, and allow 24 HR to dry.



4:

